

High Speed Adjustable Linear

Shale Shaker

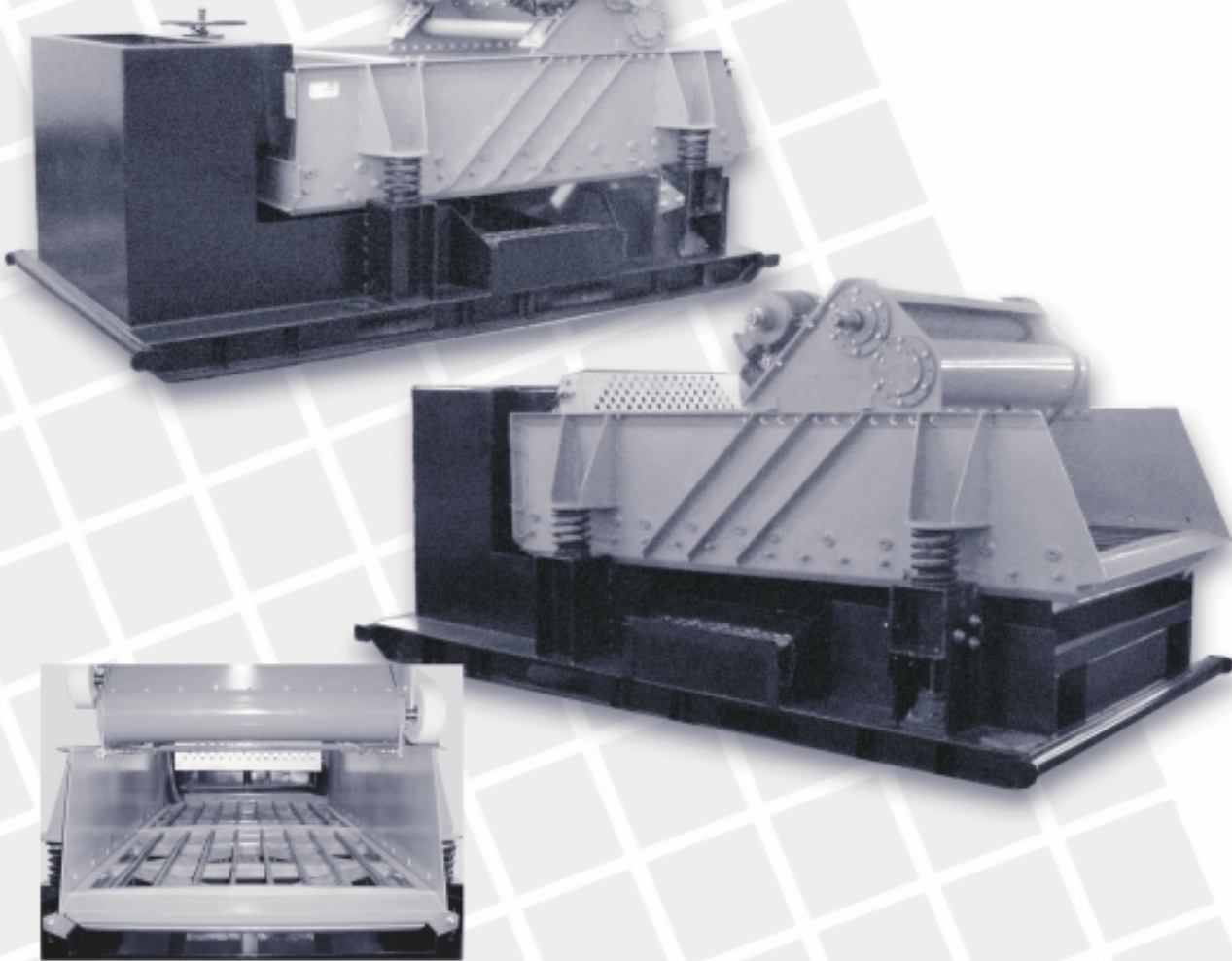
Over 35 Years of Oilfield Service

SMICO vibrating screeners provide Low Operating Cost, Excellent Product Classification and High Production with Minimum Maintenance.

- *Versatile - Deck angle is readily adjustable while drilling with manually operated jack or (optional) electric system.*
- *Rugged - Engineered for a long service life with reinforced heavy steel plate construction mounted on an oilfield skid for ease of handling.*
- *Dependable - Inertia coupled, grease lubricated top mounted linear drive using readily available bearings and standard electric motors.*
- *Highly Efficient - Strong linear conveying motion of up to 6 G's provides optimum drilling solids conveyance with minimum degradation and uphill operation for greater fluid capacity.*
- *Flexibility - Amplitude adjustment with stackable weights allow easy tuning to your application.*
- *Quality - Designed and built to meet the demands of oil field service.*

smico

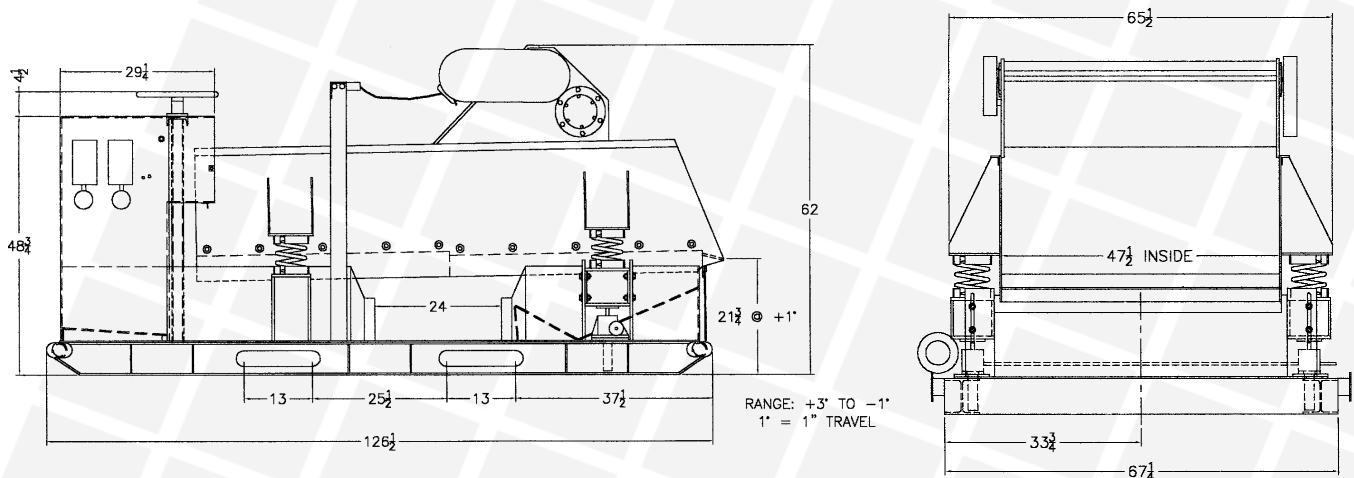
MADE IN USA



SPECIFICATIONS:

- **Outstanding Screen Life:** The AHZ utilizes two 4' x 4' screens with a screen area of 32 square feet, installed over a single cascaded fine mesh deck.
- **Adjustable:**
 - Deck Angle:* Adjustable while drilling (AWD) from -1 degree to +5 degree with electric or manual operated jack.
 - Vibrator Energy:* Amplitude and frequency adjustments set forces to a maximum of 6.2 G's.
- **Linear Motion Drive:** Field serviceable linear drive utilizes self-purging, grease lubricated bearings.
- **Low Maintenance:** Two 3-HP explosion proof motors prewired to twin starters.
- **Screen Tensioners:** Quick release stainless steel deflectors with stainless steel external tensioners enable positive tensioning of screen for longer screen life and easy installation from either front or side.
- **Weir Plate:** Stainless steel perforated double weir mounts above screen deck for dissipating mud impact on screens.
- **Skid:** Mounted on 6' wide flange beams makes spotting easy. The possum belly is equipped with SMICO standard hand-wheel operated T-304 stainless steel wedge-type bypass gate and will allow flow line connection from rear or side.
- **Corrosion Protection:** Coated with inorganic zinc primer and epoxy topcoat over white metal preparation.

Typical Print
4' x 8' One Deck + 1° degree



Model 488-1D-AHZ